

EMCTM-MS2
Flat Panel Display Mount



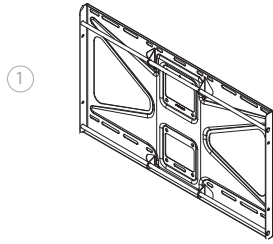
26.59 [675.49]

19.09 [484.99]

[281.79]

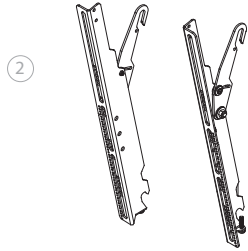
16.12 [409.57]

32.25 [819.15]



① EMCTM-MS2 Wall Plate (Qty 1)

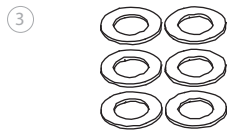
Congratulations on purchasing the EMCTM-MS2. This is shipped with all proper installation hardware and components. Please verify that none of these parts are missing and/or damaged before assembly. If any parts are missing/damaged please stop assembly and contact **ErgoMounts** 01252 333326



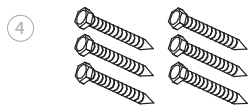
② Mounting Brackets (Qty 2)

Installation Tools

- Phillips Head Screwdriver
- Pencil
- Level
- Soft Material/Blanket
- Tape Measure
- Thread Depth Indicator
- 1/2" Socket and Wrench
- Drill Gun



③ 5/16" Flat Washers (Qty 6)



④ M10 x 12mm Hex Head Screws (Qty 4)



M4 x 30 (Qty 6)



M4 x 25 (Qty 6)



M4 x 16 (Qty 6)



⑤ Griplate™ (Qty 6)



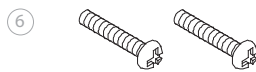
M5 x 30 (Qty 6)



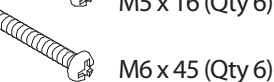
M5 x 25 (Qty 6)



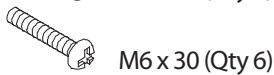
M5 x 16 (Qty 6)



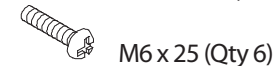
⑥ M6 x 30mm Lateral Shift Locking Screws (Qty 2)



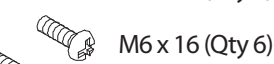
M6 x 45 (Qty 6)



M6 x 30 (Qty 6)



M6 x 25 (Qty 6)



M6 x 16 (Qty 6)



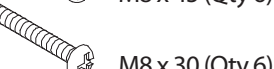
⑦ M6 x 12mm Safety Knobs (Qty 2)



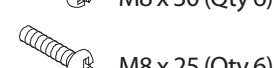
M8 x 70 (Qty 4)



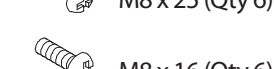
M8 x 45 (Qty 6)



M8 x 30 (Qty 6)



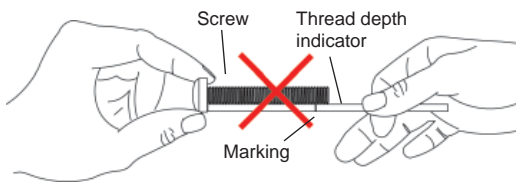
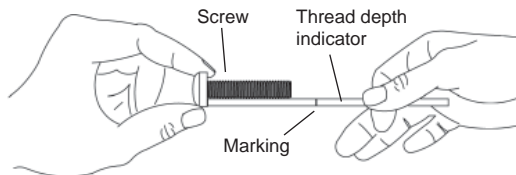
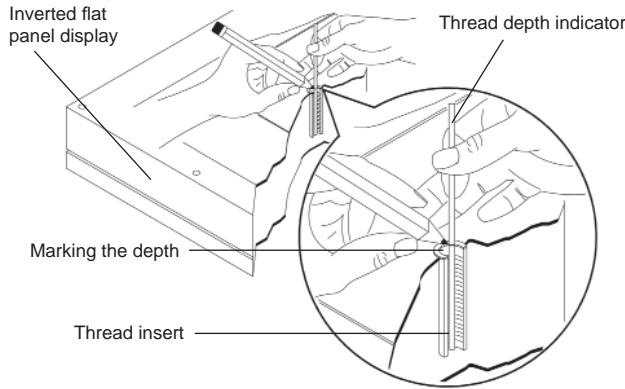
M8 x 25 (Qty 6)



M8 x 16 (Qty 6)

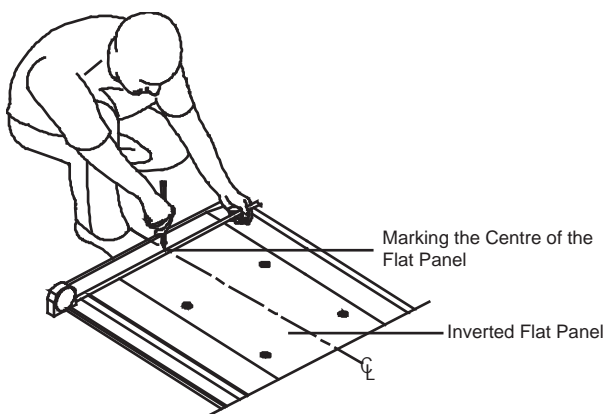
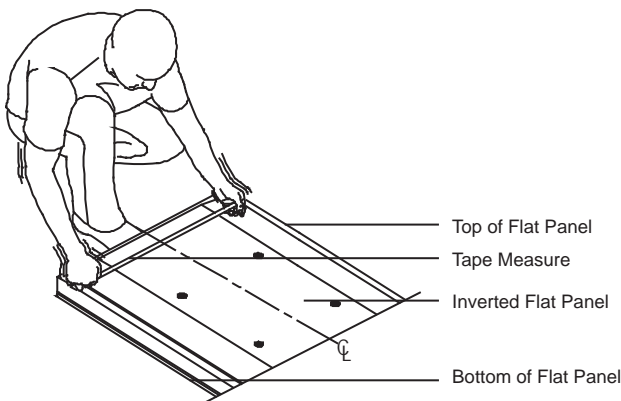


⑧ Universal Spacer (Qty 24)



Thread Depth Indicator

- ① Insert the thread depth indicator (supplied) through the thread inserts found on the back of the flat panel to make sure the inserts measure the same full depth and mark it.
- ② Locate the correct diameter screw for the thread insert. Compare your marking to the screws supplied.
- ③ If the selected screw is longer than the marking on the thread depth indicator, **DO NOT USE** this screw.
- ④ The screw length must not bypass the marking. Select another screw size (figure 2 and 3), until you find one that comes closest to your mark without going past.



Finding the centre of the Plasma display

NB Proper installation procedure by qualified personnel as outlined in the installation instructions must be adhered to. Failure to do so could result in serious personal injury and possible damage to the flat panel.

NB Invert the flat panel, place it on a soft, flat surface to prevent damage to the flat panel. Use a blanket, foam, etc. Failure to do so will result in damaging the flat panel. Do not lay the flat panel on the floor without any protection to the glass. The flat panel is heavy and fragile. At least (2) qualified personnel are strongly recommended for installation of this product. Failure to do so could result in serious injury and possible damage to the flat panel.

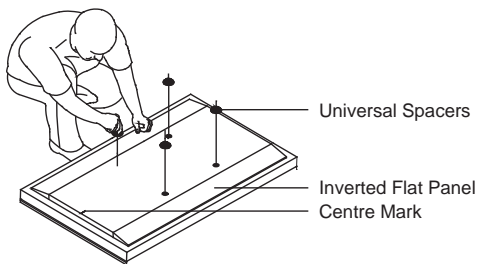
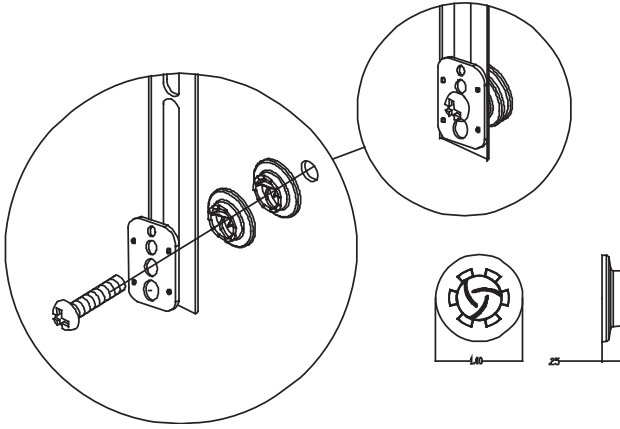
- ① Once the flat panel is inverted, use a measuring tape to find the centre of your flat panel measuring from outside to outside of the chassis.
- ② Use a pencil to lightly mark the centre of your flat panel.

Positioning the Mounting Brackets

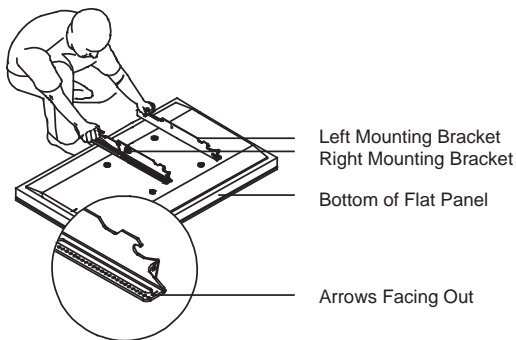
- ① **NB** If your display has uneven mounting points, or recessed mounting points, please use the provided universal spacers.

Universal Spacers Installation

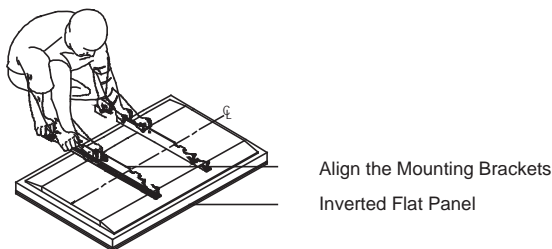
The Universal Spacer may be stacked five (5) high, for a total stacking height of 1 - 1/4". The universal spacers must be stacked in the direction shown above. The universal spacers must be placed between the mounting bracket and the flat-panel. The universal spacer can fit M4, M5, M6 and M8 screws sizes.



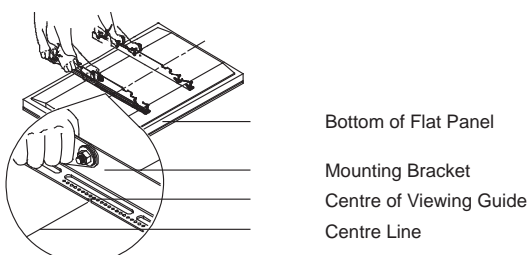
- ① Place the universal spacers over the mounting points on the flat panel



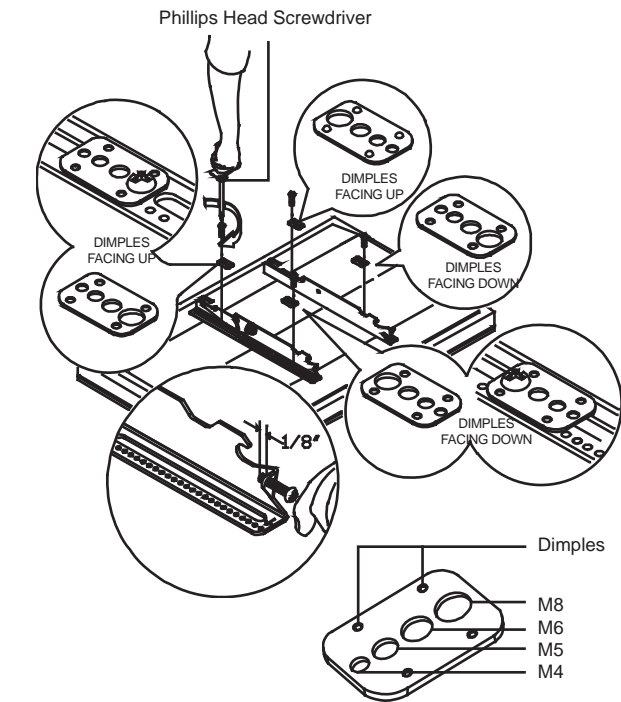
- ② Lay the mounting brackets (stamped arrows facing out) on the display, over the mounting points.



- ③ Match the centre of viewing guide with the centre line you marked in step 1.



- ④ The mounting brackets are designed with a centre viewing guide on the side.

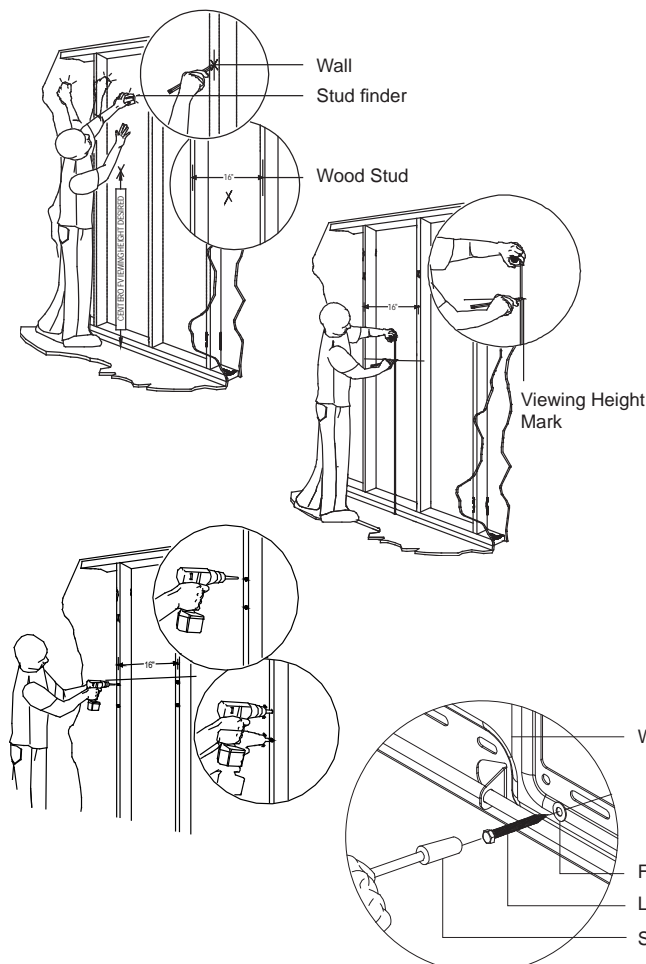


Griplate™ Installation

- ① The Griplate™ has M4, M5, M6 and M8 hole patterns to fit the hardware that your flat panel requires.
- ② **Example:** If your Plasma uses M8 x 20 Phillips screws use the M8 Mounting hole on the Griplate™.

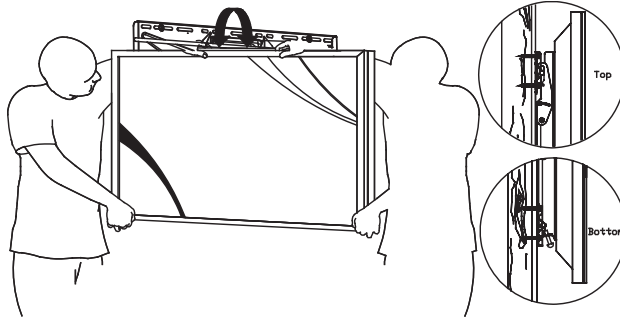
NB The upper Griplate™ must be mounted with the dimples facing up. The lower Griplate™ must be mounted with the flat side facing up.

- ① Pre-install two (2) M6 x 30mm Phillip pan screws to the bottom of the left and right hand side mounting brackets.
- ② Once the mounting brackets are aligned secure the Griplate™ to the flat panel.



Wall Stud Location

- ① Using a (commercially available) wood stud finder, locate the 16" or 24" stud centres behind the wall.
- ② Once found, make a pencil marking on the centre of the wood studs.
- ③ Place the wall plate to the reference line and mark the four (4) lag bolt mounting points through the wall plate slots on the wall.
- ④ Level the wall plate with the reference arrow pointing up to the ceiling.
- ⑤ Drill four (4) 1/4" pilot holes to the marked wall.
- ⑥ Secure the plate using the four (4) 5/16" lag bolts and flat washers.

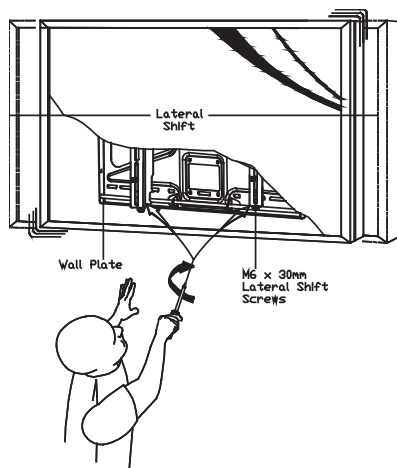


Securing the Plasma to the Wall Mount

NB It is strongly recommended that 2 qualified persons complete the installation of the product. Failure to do so could result in serious injury and possible damage to the flat panel.

- ① Raise the flat panel with the mounting brackets secured to the flat panel and insert the top and bottom hooks from each bracket to the rods from the wall plates.

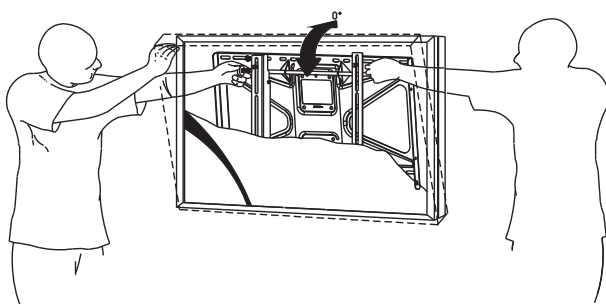
NB Do not over tighten the M6 screws to the rods.



Lateral Shift Adjustment

- ① Locate the two (2) mounting holes that are on the bottom of each mounting bracket arm.
- ② Insert and tighten two (2) M6 x 30mm lateral shift locking screws.
- ③ Make any lateral shift adjustments at this time. Once the desired position has been determined, use a Phillips tip screwdriver and tighten the two lateral shift locking screws.

NB Although not depicted in the illustrations shown, the width of this wall mount will encompass two wall studs.



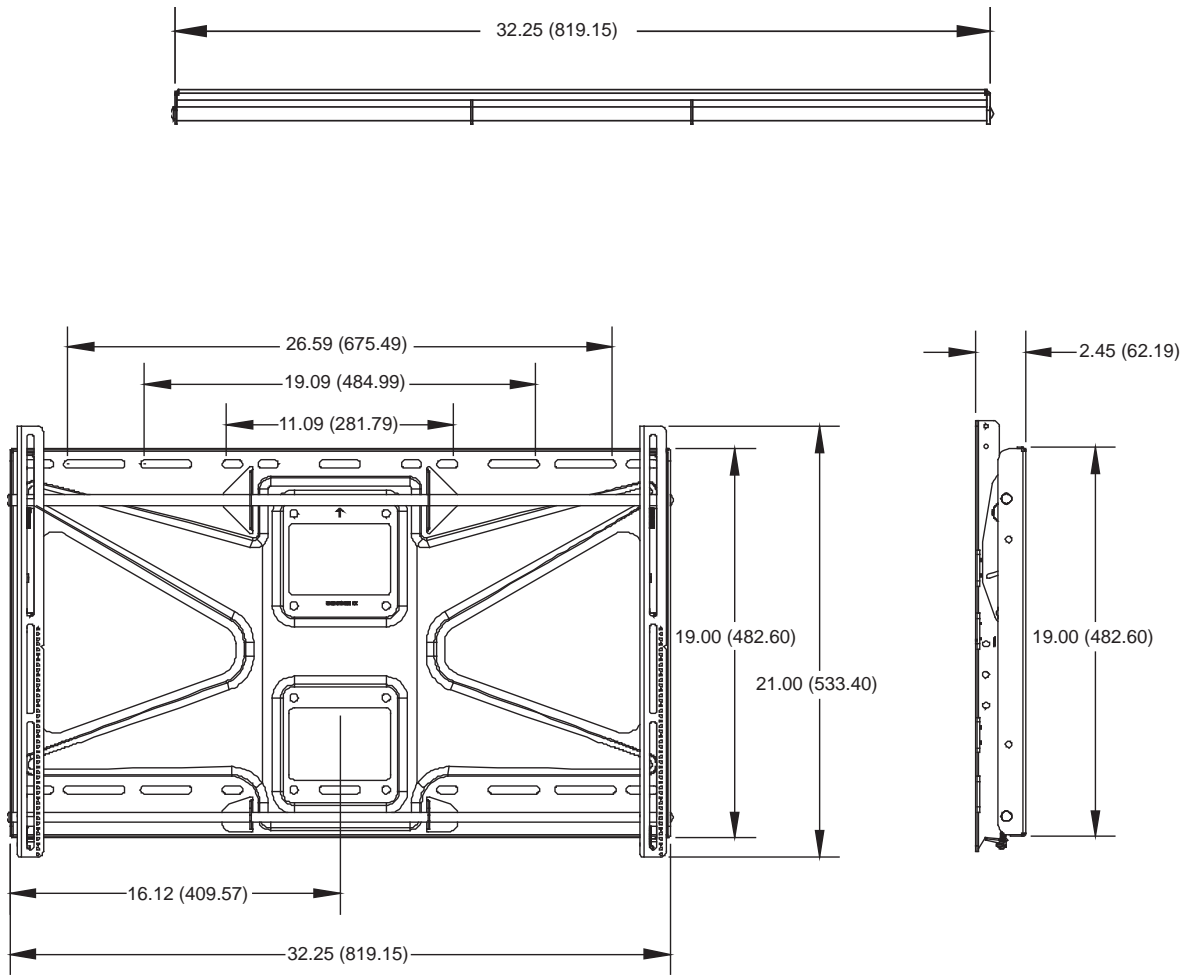
Safety Knurl Knob Installation

- ① Tilt the flat panel and secure two (2) M6 x 12mm safety knobs to each of the mounting brackets.

Removing the Display from the Wall

Perform the following steps to remove the flat panel from the wall mount.

- ① Extend the display to its maximum tilt range.
- ② Remove the two M6 x 12mm safety knurl knobs.
- ③ Push the flat panel back to its flat position.
- ④ Loosen or remove the two (2) M6 x 30 lateral shift screws.
- ⑤ Lift the unit off the wall plate.





See it your way...

ErgoMounts Limited

Unit 10
Pegasus Court
North Lane
Aldershot
Hampshire
GU12 4QP
United Kingdom

T +44 (0)1252 333326
F +44 (0)1252 330006

www.ergomounts.co.uk