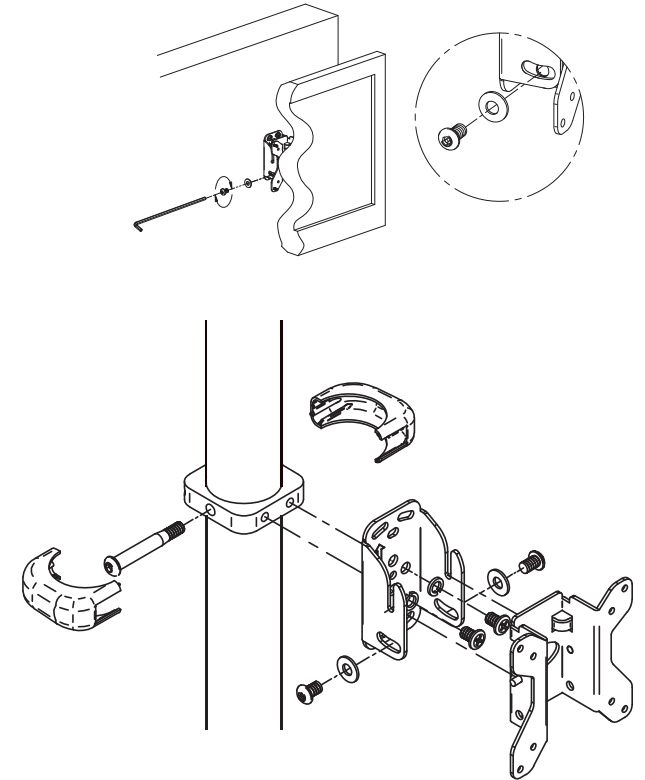
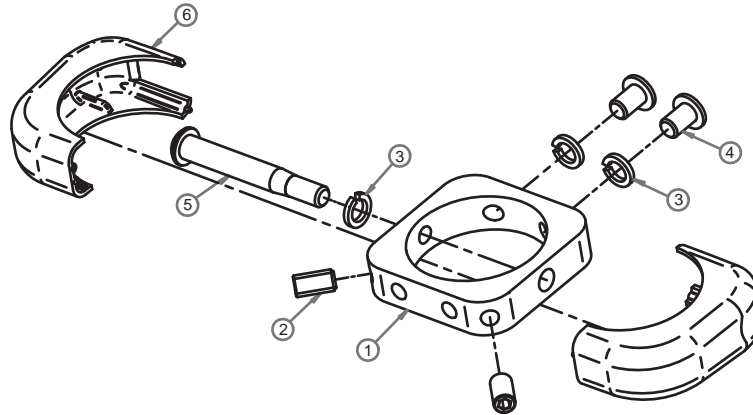
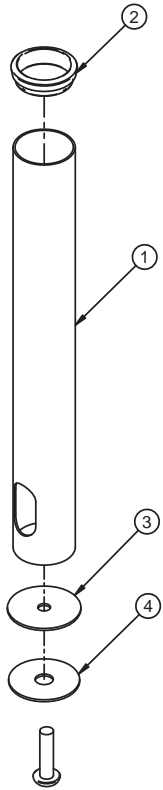


EMDS311TD - DELTA SERIES DESK MOUNT



- ① 50mm pole - length 0.4m
- ② Pole end ring
- ③ M10 Metal Washer
- ④ M10 Plastic Washer

- | | | |
|------------------------------------|-------------------------|---|
| ① Collar | To fit 50mm poles | 1 |
| ② M8 x 15mm grub screws | To clamp collar to pole | 2 |
| ③ M8 Spring Washer | Sits under screw heads | 5 |
| ④ M8 x 12mm Flat Cross Head Screws | To attach accessories | 4 |
| ⑤ M8 x 65mm Safety Bolt | Passes through pole | 1 |
| ⑥ Collar cover half | Push fit under collar | 2 |
| ⑦ 4mm Allen key | To tighten | 1 |
| ⑧ 5mm Allen key | To tighten | 1 |