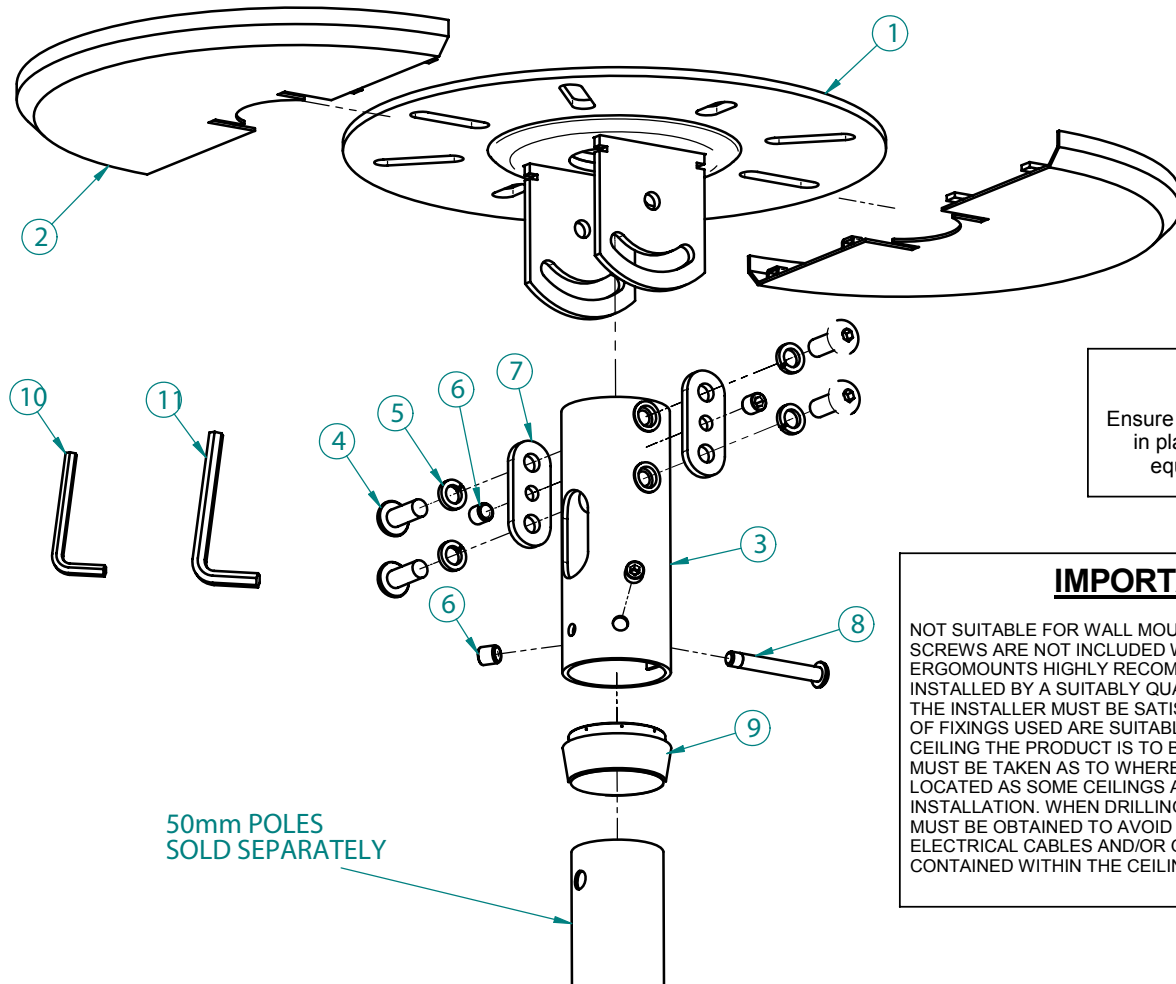


EMDSCMP-LB-TILT MOUNT

PARTS LIST

No	PART NAME	QTY
1	CEILING PLATE	1
2	PLASTIC COVER HALF	2
3	60MM TILT TUBE	1
4	M10 X 30 ALLEN SCREW	4
5	M10 SPRING WASHER	4
6	M10 X 10 GRUB SCREW	4
7	M10 WASHER PLATE	2
8	M8 X 60 SAFETY BOLT	1
9	TAPER TRIM	1
10	5MM ALLEN KEY FOR PARTS 6 AND 8	1
11	6MM ALLEN KEY FOR PART 4	1



**Attention!**  
Ensure safety bolt (Part 8) is in place before any AV equipment is fitted.

**IMPORTANT**  
NOT SUITABLE FOR WALL MOUNTING. FIXING SCREWS ARE NOT INCLUDED WITH THIS PRODUCT. ERGOMOUNTS HIGHLY RECOMMEND THIS PRODUCT BE INSTALLED BY A SUITABLY QUALIFIED PERSON. THE INSTALLER MUST BE SATISFIED THAT THE TYPE OF FIXINGS USED ARE SUITABLE FOR THE TYPE OF CEILING THE PRODUCT IS TO BE MOUNTED TO. CARE MUST BE TAKEN AS TO WHERE THIS PRODUCT IS LOCATED AS SOME CEILINGS ARE NOT SUITABLE FOR INSTALLATION. WHEN DRILLING HOLES KNOWLEDGE MUST BE OBTAINED TO AVOID CONTACT WITH ANY ELECTRICAL CABLES AND/OR GAS AND WATER PIPES CONTAINED WITHIN THE CEILING.

50mm POLES  
SOLD SEPARATELY

PLEASE KEEP THIS PARTS LIST FOR FUTURE REFERENCE