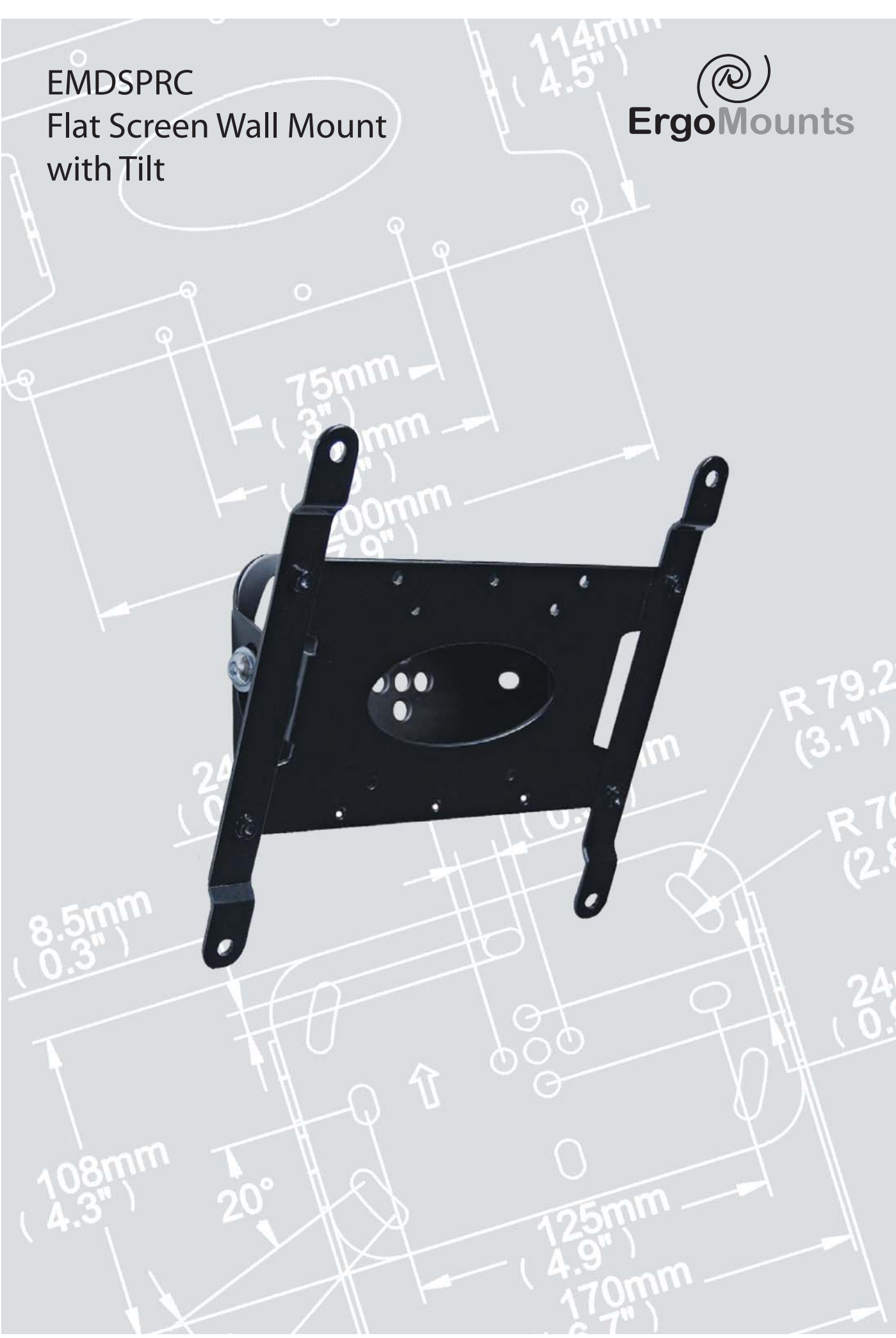
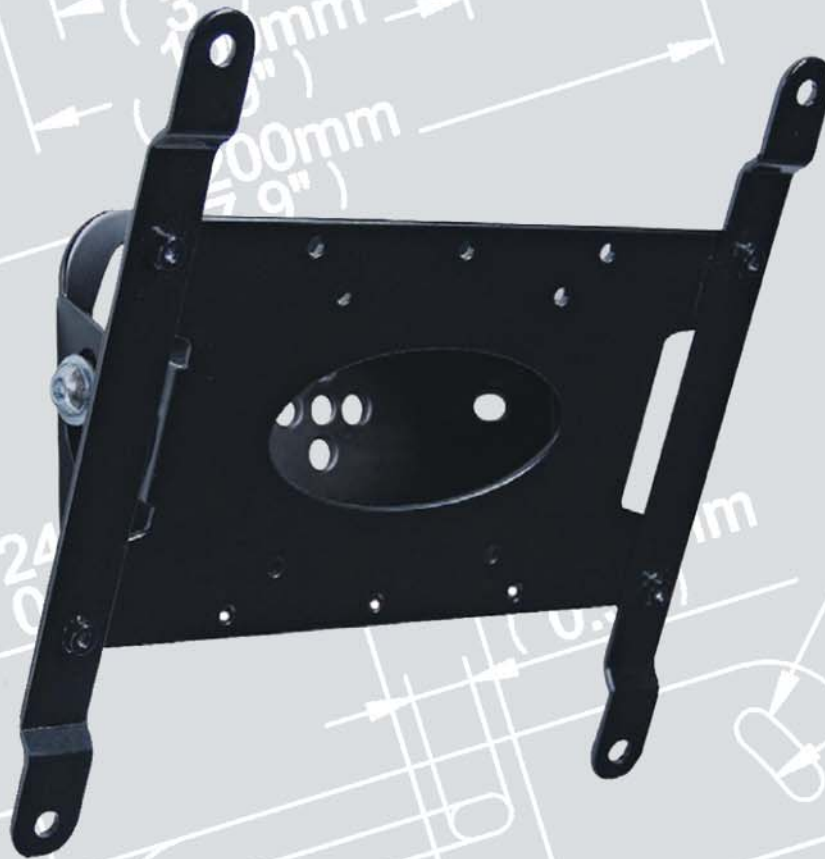
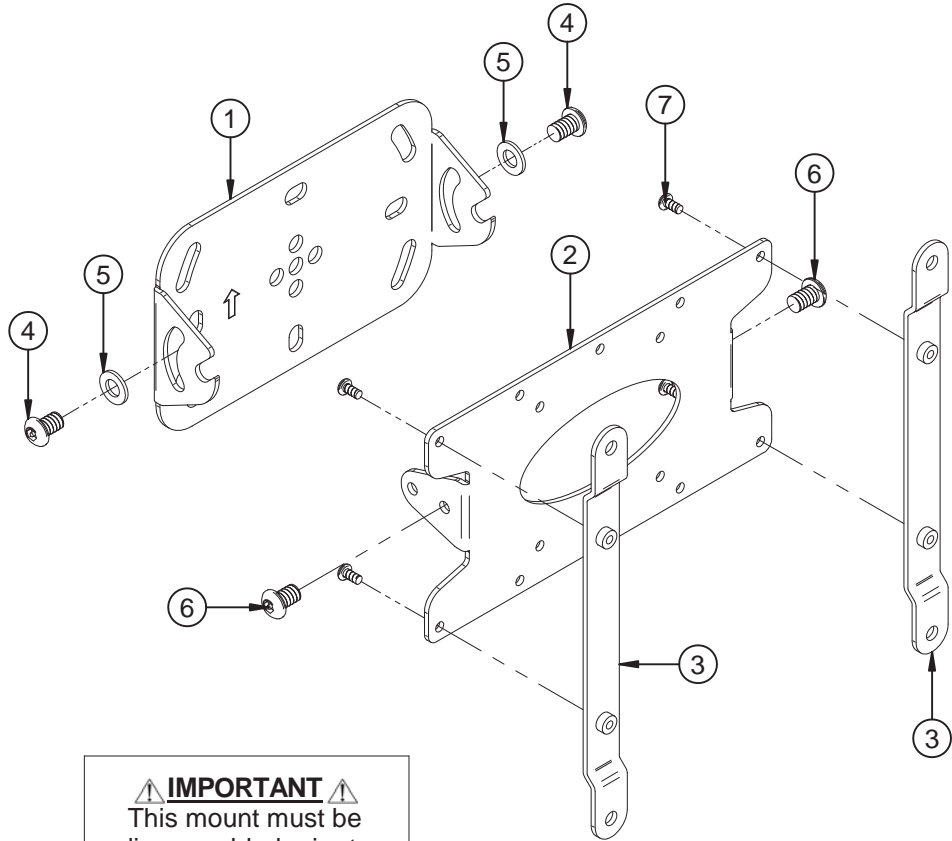
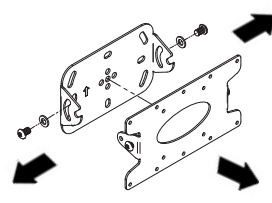


EMDSPRC
Flat Screen Wall Mount
with Tilt





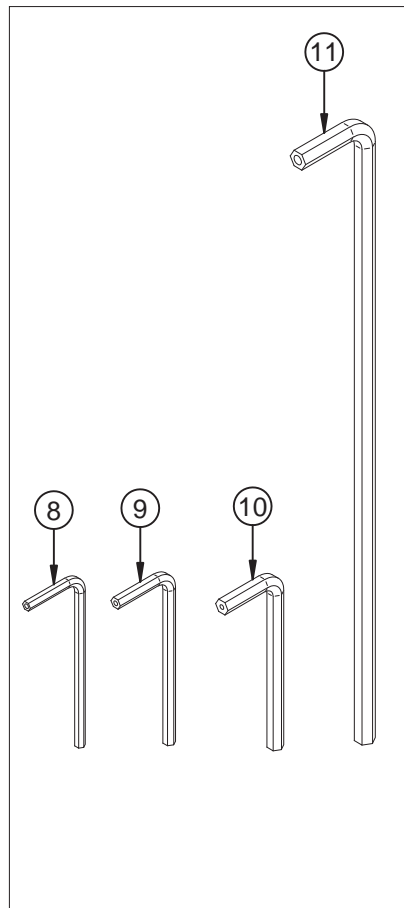
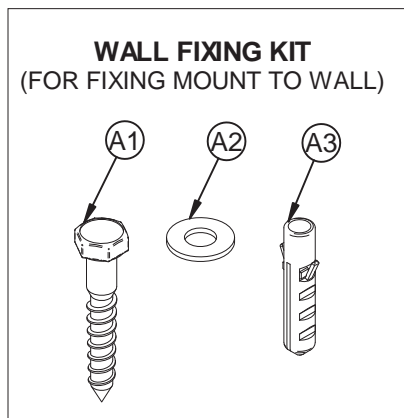
⚠ IMPORTANT ⚠
This mount must be disassembled prior to installation.



Suitable for loads
up to
25kg (55lbs)

Installation Tools

- 13mm (1/2") Spanner or socket
- Crosshead Screwdriver
- Drill
- 10mm (7/16") masonry bit or 6mm (1/4") wood bit
- Pencil
- Stud finder (optional)



The **EMDS-PRC** is shipped with all proper installation hardware and components. Please verify that none of these parts are missing and/or damaged before assembly. If any parts are missing/damaged please stop assembly and contact **ErgoMounts** 01252 333326

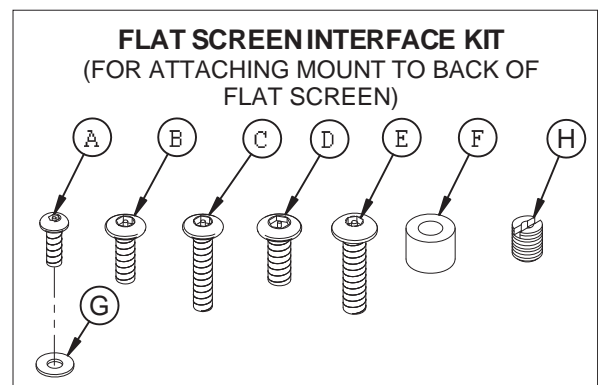
	Qty
① Wall Plate	1
② Interface Plate	1
③ Adaptor Arm	2
④ M8 x 12mm Pin Hex Security Screw	2
⑤ M8 Metal Washer	2
⑥ M8 x 12mm Pin Hex Security Screw	4
⑦ M4 x 8mm Pin Hex Security Screw	4
⑧ 2.5mm Pin Hex Security Key	1
⑨ 3mm Pin Hex Security Key	1
⑩ 4mm Pin Hex Security Key	1
⑪ 5mm Pin Hex Security Key	1

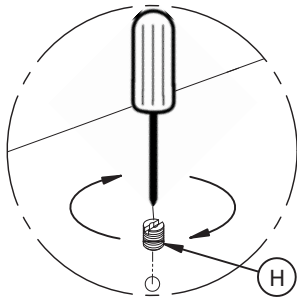
Interface Kit

Ⓐ M4 x 12mm Pin Hex Security Screw	4
Ⓑ M5 x 16mm Pin Hex Security Screw	4
Ⓒ M5 x 25mm Pin Hex Security Screw	4
Ⓓ M6 x 16mm Pin Hex Security Screw	4
Ⓔ M6 x 25mm Pin Hex Security Screw	4
Ⓕ M6 x 12mm Spacer	4
Ⓖ M4 Metal Washer	4
Ⓗ M8 to M4 Adaptor	4

Fixings Kit

Ⓐ1 M8 x 50mm Coach Screw	4
Ⓐ2 M8 Metal Washer	4
Ⓐ3 No 10 Wall plugs	4





Screens with M8 Fixings

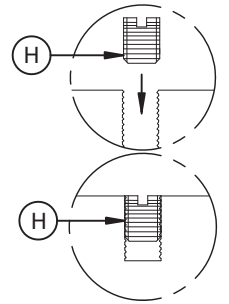
Screw parts H into the flat screen fixing holes.

Continue with screen mounting steps 2 and 3.

There are two methods of attaching the mount to the screen, depending on the screen fixing pattern.

A) VESA Fixings: 75mm x 75mm, 100mm x 100mm or 200mm x 100mm

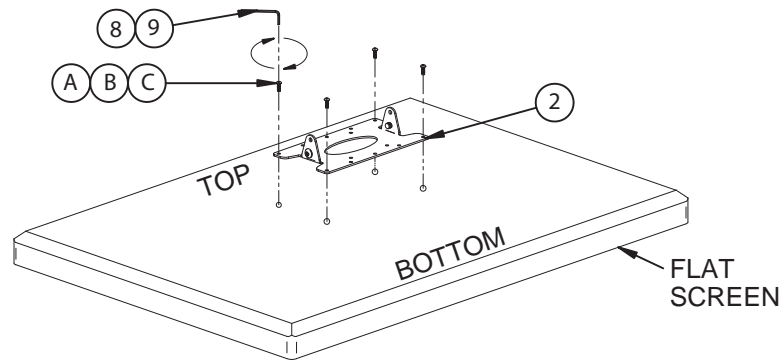
B) VESA Fixings: 200mm x 200mm



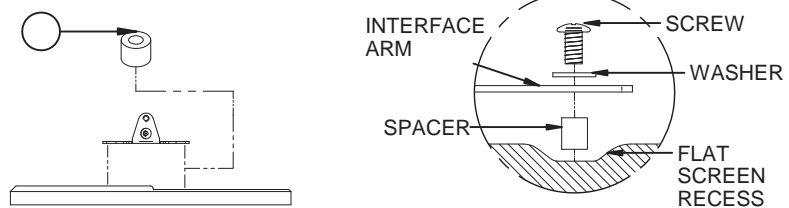
A

VESA Fixings: 75mm x 75mm, 100mm x 100mm or 200mm x 100mm

i) Attach interface plate to back of screen.

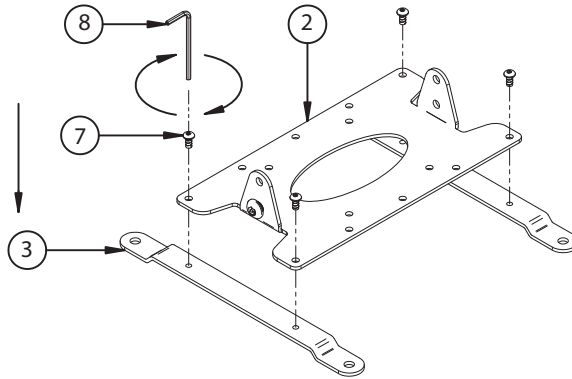


FOR SCREENS WITH RECESS FIXINGS

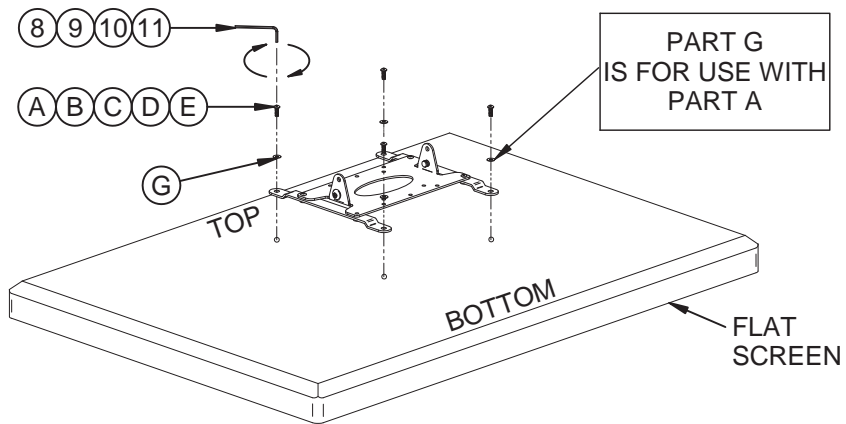


B VESA Fixing: 200mm x 200mm

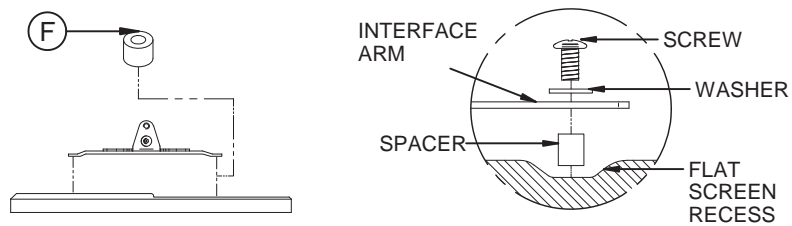
i) Fix the adaptor arms to the interface.



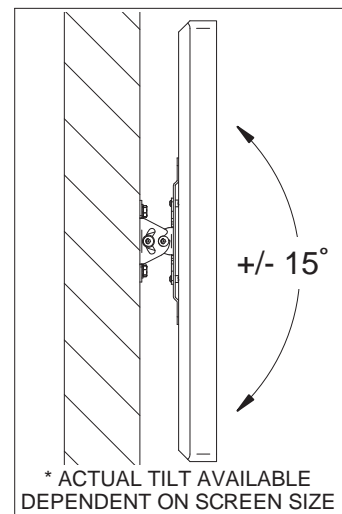
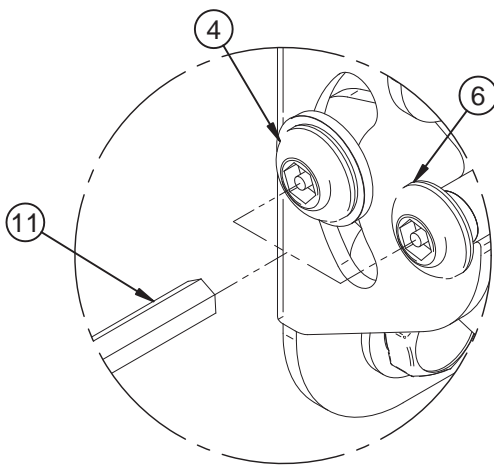
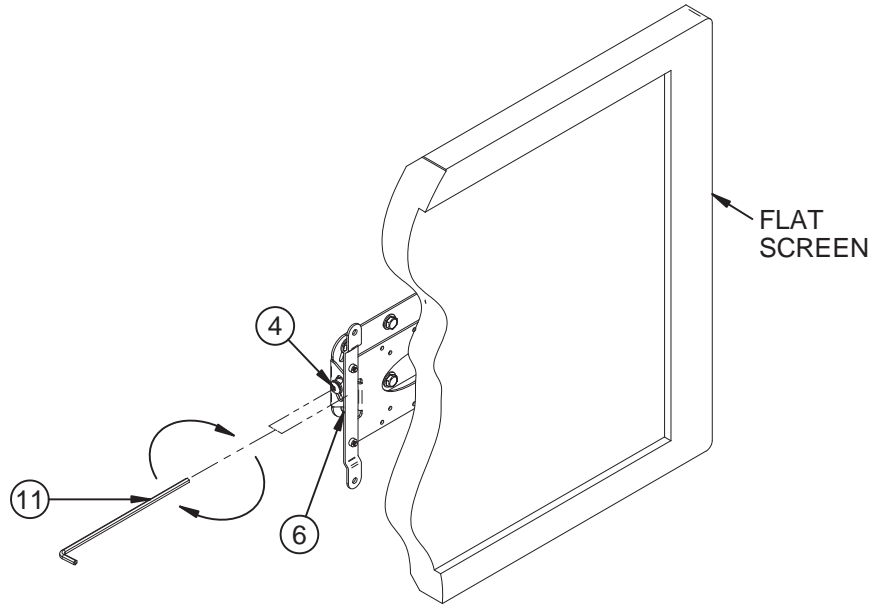
ii) Attach interface to back of the screen.



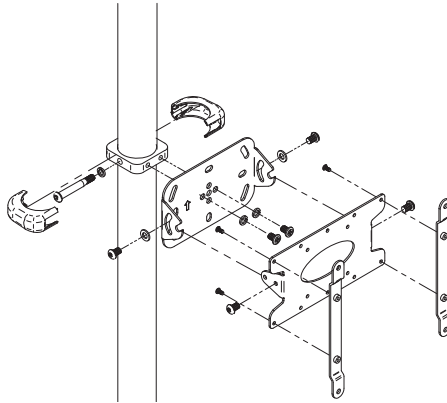
FOR SCREENS WITH RECESS FIXINGS



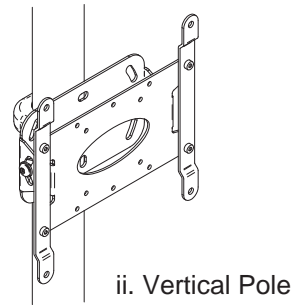
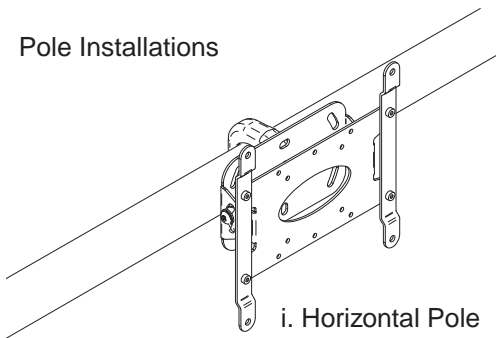
Adjust tilt and fix in position using parts 4 and 6.



Additional Mounting Options



Pole Installations



Sample Installations



Desk Mounting



Ceiling Mounting



Floor Mounting



See it your way...

ErgoMounts Limited

Unit 10
Pegasus Court
North Lane
Aldershot
Hampshire
GU12 4QP
United Kingdom

T +44 (0)1252 333326
F +44 (0)1252 330006

www.ergomounts.co.uk