

EMPRO-PRC

Heavy Duty Adjustable LCD Mount
for Pro Series 50mm Poles.

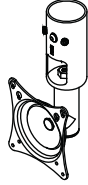


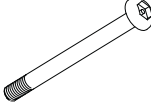




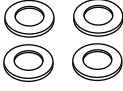
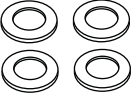
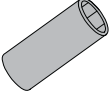
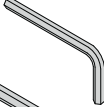
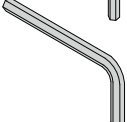



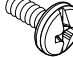







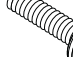

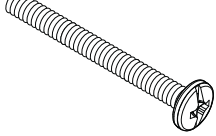
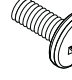
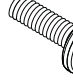

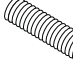

Installation Tools

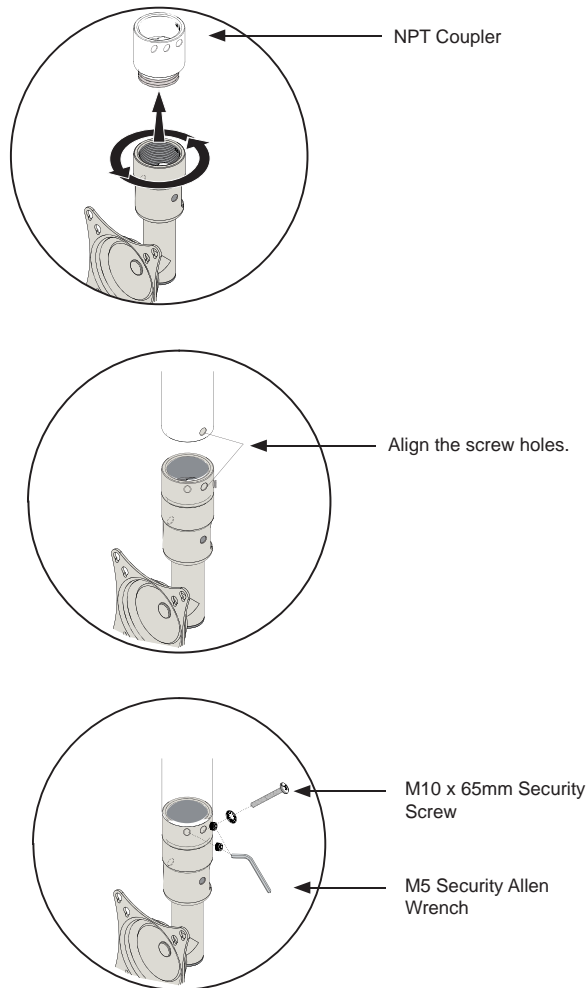
Protective Eyewear
Philips screwdriver

Stir straw/Toothpick

The **EMPRO-PRC** is shipped with all proper installation hardware and components. Please verify that none of these parts are missing and/or damaged before assembly. If any parts are missing/damaged please stop assembly and contact **ErgoMounts** 01252 333326

- ①  EMPROPRC (Qty 1)
- ②  50mm / 2" Column to 38mm / 1.5" NPT Coupler (Qty 1)
- ③  Adaptor Plates (Qty 2) (Optional)
- ④  M10 x 65mm Security Head (Qty 1)
- ⑤  M10 Security Set Screw (Qty 2)
- ⑥  M10 Tooth Washer (Qty 1)
- ⑦  Suspension Pole Sold Separately
- ⑧  Universal Spacers (Qty 30)
- ⑨  M4 Flat Washers (Qty 4)
- ⑩  M5 Flat Washers (Qty 4)
- ⑪  14mm Socket (Qty 1)
- ⑫  M3 Allen Wrench (Qty 1)
- ⑬  M5 Security Wrench (Qty 1)

-  M4 x 5mm Combo Screw (Qty 4)
-  M4 x 10mm Combo Screw (Qty 4)
-  M4 x 10mm Flat Head Screw (Qty 6)
-  M4 x 16mm Flat Head Screw (Qty 6)
-  M4 x 20mm Flat Head Screw (Qty 6)
-  M4 x 30mm Flat Head Screw (Qty 6)
-  M4 x 45mm Flat Head Screw (Qty 6)
-  M5 x 10mm Combo Screw (Qty 4)
-  M5 x 16mm Combo Screw (Qty 4)
-  M5 x 20mm Combo Screw (Qty 4)
-  M5 x 30mm Combo Screw (Qty 4)
-  M5 x 45mm Combo Screw (Qty 4)
-  M6 x 10mm Combo Screw (Qty 4)
-  M6 x 16mm Combo Screw (Qty 4)
-  M6 x 20mm Combo Screw (Qty 4)
-  M6 x 30mm Combo Screw (Qty 4)
-  M6 x 45mm Combo Screw (Qty 4)



Attaching the EMPRO-PRC to Suspension Pole

NB The Suspension pole must be mounted to the ceiling mount before proceeding. Please refer to the ceiling mount instructions that came packaged with your suspension pole.

- ① Attach the 38mm / 1.5" NPT coupler to the EMPRO-PRC. You will need to tighten the grub screw in the NPT coupler to the EMPRO-PRC.
- ② Insert the 2" pipe into the NPT coupler. Align the screw hole at the end of the 50mm / 2" pole with the middle screw hole in the NPT coupler.
- ③ Use the M5 Security Allen wrench to insert one (1) M10 x 65mm security screw through the M10 washer, NPT coupler and 2" pole.

NB. The M10 x 65mm security screw should protrude from the other side of the NPT coupler.

- ④ Use the M5 security allen wrench to tighten the two M10 set screws.

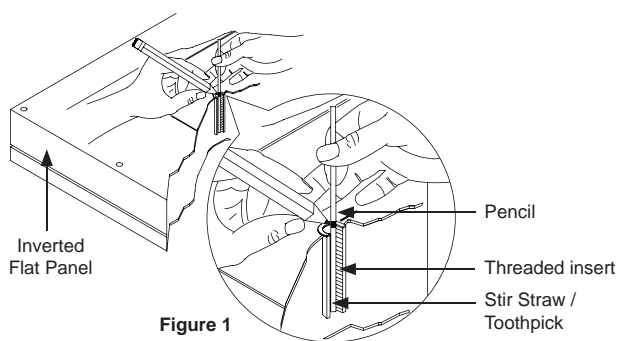


Figure 1

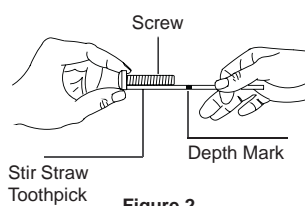


Figure 2

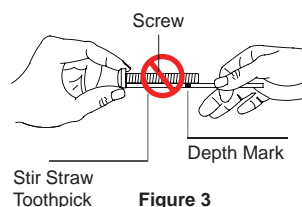


Figure 3

Mounting Hardware

- ① Insert the straw/toothpick into the thread inserts found on the bottom or top of the flat panel.
- ② Use a pencil to mark the depth of the thread insert on the stir straw/toothpick, as shown in figure 1.
- ③ Insert the straw/toothpick into the remaining thread inserts to compare and verify their depth.
- ④ Locate the correct diameter screw for the thread insert.

If the screw you selected is longer than the mark on the stir straw/toothpick, as shown in figure 3, do not use this screw. The screw length must not bypass the mark, as shown in figure 2. The screw must be threaded in a minimum of four (4) complete turns.

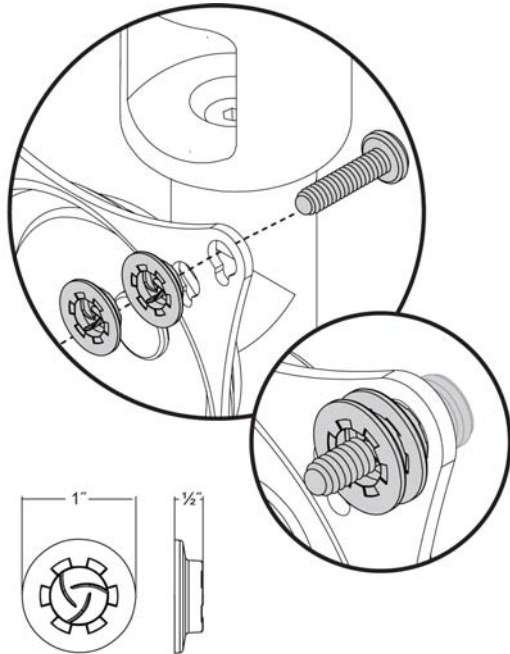
- ⑤ Test each size of the screws provided.

The correct screws should thread easily into the mount point and not pull out when tension is applied.

Does your flat panel have:

- Recessed mount points?
- Uneven mount points?
- A curved back?
- Any obstruction near the mount point?

If **Yes**, you must install Universal Spacers. Proceed to the **Universal Spacer Installation** section.
 If **No**, skip to the **Adaptor Plate Installation** section.



Universal Spacer Installation

Universal spacers allow you to attach the mounting bracket to flat panels which have recessed or uneven mount points. Each universal Spacer adds 1/4" to the distance between the Adaptor Plate and your flat panel.

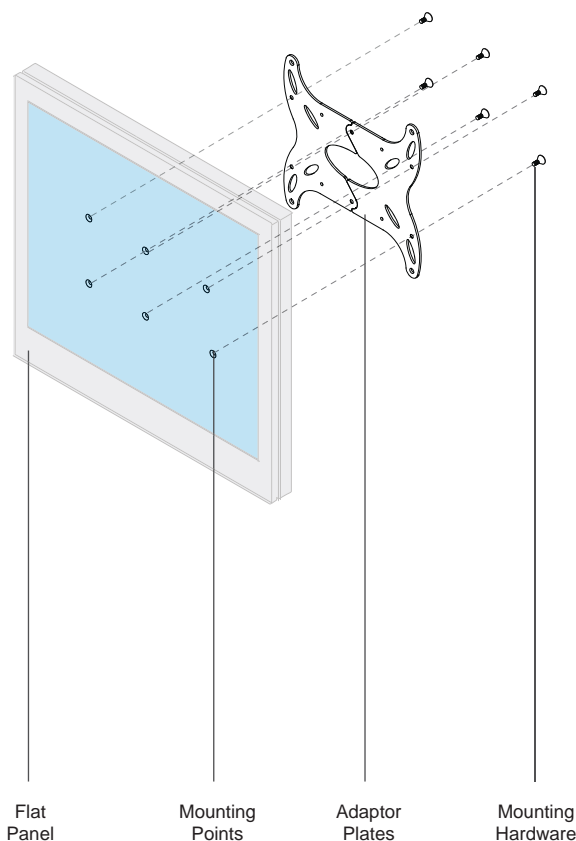
NB The Universal Spacers must be stacked and orientated as shown.

NB The Universal Spacers must only be installed between the Adaptor Plate and your flat panel.

The Universal Spacers will fit M4, M5, M6 and M8 screw sizes.

Does your flat panel have:

- 75mm x 75mm VESA mount points or 100mm x 100mm VESA mount points?
 Proceed to the **Attaching the EMPRO-PRC to the Flat Panel** Section.
- 200mm x 100mm mount points or 200mm x 200mm mount points?
 Proceed to the **Adaptor Plate Installation** section.



5 Adaptor Plate Installation

The adaptor plates are used attach flat panels with 200mm x 100mm and 200mm x 200mm mount points to the EMPRO-PRC mount.

Determine which mount points will be used. Refer to the **Adaptor Plate Mounting Configuration** section for Adaptor Plate mount points.

Place you monitor face down on a soft and flat surface.

6

Secure the adaptor plates to the back of the monitor using the following hardware:

If you are using 200mm x 100mm mounting points, you must use the M4 flat head screws to secure the adaptor plates to the flat panel.

7

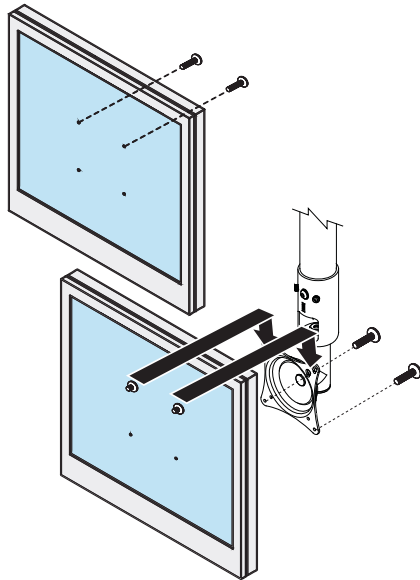
If you are using 200mm x 200mm mounting points and M4 screws, you must M4 washers as well.

8

If you are using the 200mm x 200mm mount points and M5 screws, you must use M5 washers as well.

9

Proceed to the **Attaching the EMPRO-PRC Mount to the Flat Panel** Section.



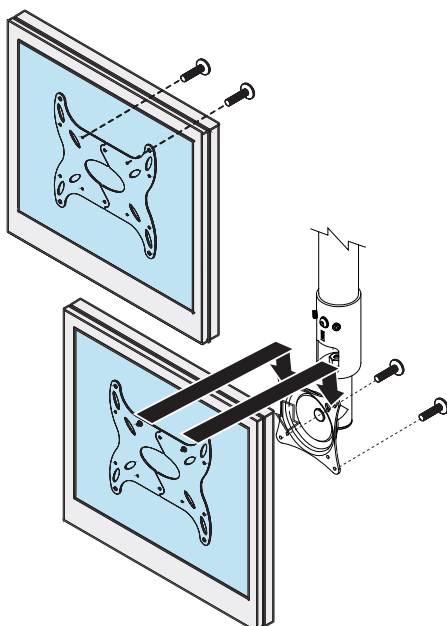
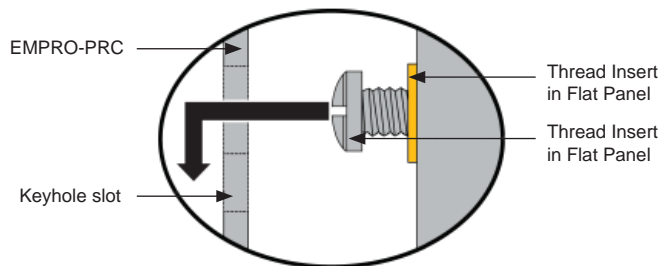
Attaching the EMPRO-PRC to the Flat Panel

Flat Panel without Adaptor Plates (75mm x 100mm)

- ① Insert two (2) M4 x 5mm Phillips screws to the top two mount points of your flat panel. Thread the M4 x 5mm Phillips screws halfway into the flat panel, but do not tighten the screws at this time.
- ② Insert the heads of the M4 x 5mm Phillips screws through the keyhole slots.
- ③ Insert two (2) M4 x 5mm Phillips screws into the bottom mount points.
- ④ Tighten all M4 x 5mm Phillips screws.

NB Do not overtighten the mounting hardware.

Proceed to the Adjusting the Tilt/Pivot Tension section.

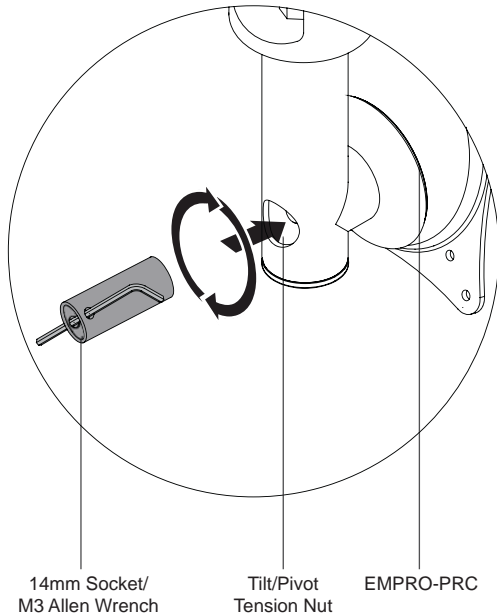


Flat Panel with Adaptor Plates (100mm x 100mm)

- ① Insert two (2) M4 x 5mm Phillips screws to the top two 100 x 100 mounting points on the adaptor plate. Thread the M4 x 5mm Phillips screws halfway into the adaptor plate, but do not tighten the screws at this time.
- For the location of the 100mm x 100mm mounting points, refer to the Adaptor Plate Mounting Configuration section for adaptor plate mount points.
- ② Insert the heads of the M4 x 5mm Phillips screws through the keyhole slots.
 - ③ Insert two (2) M4 x 5mm Phillips screws through the keyhole slots.
 - ④ Tighten all M4 x 5mm Phillips screws.

NB Do not overtighten the mounting hardware.

Proceed to the Adjusting the Tilt/Pivot Tension section.



Attaching the Tilt/Pivot Tension

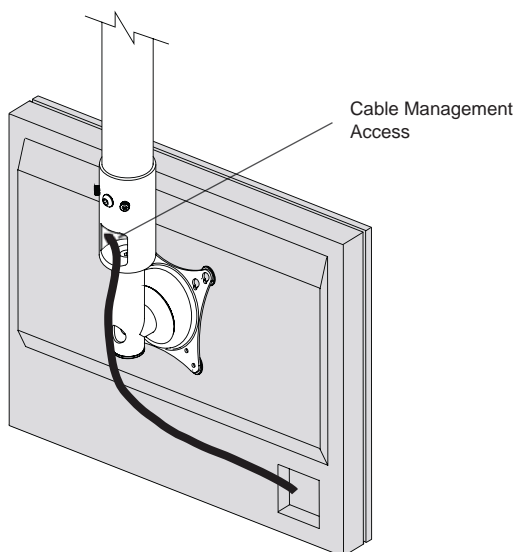
You can adjust the Radial Glide™ tension by tightening the tilt/pivot tension nut.

- ① Locate the tilt/pivot tension nut (see illustration to the right).
- ② Use the supplied M3 Allen wrench and supplied 14mm socket to loosen or tighten the tilt-pivot tension nut.

Turn the tilt/pivot tension nut clockwise to increase tension **OR**

Turn the tilt/pivot tension nut counter-clockwise to decrease tension.

NB Loosening the tilt/pivot tension nut too much may cause the flat panel to suddenly tilt forward. **Do not** overtighten the tilt/pivot tension nut, **Do not** completely remove the tilt/pivot tension nut.



EMPRO-PRC Cable Management

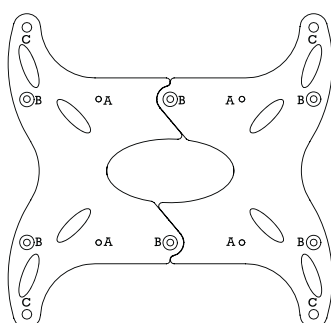
Your EMPRO-PRC features built-in cable management.

Determine the final orientation of the flat panel.

Route cables up through the suspension pole as shown.

Pull the cables up through the ceiling mount.

NB Please follow the installation instructions that come packaged with the ceiling mount for correct cable management procedures.

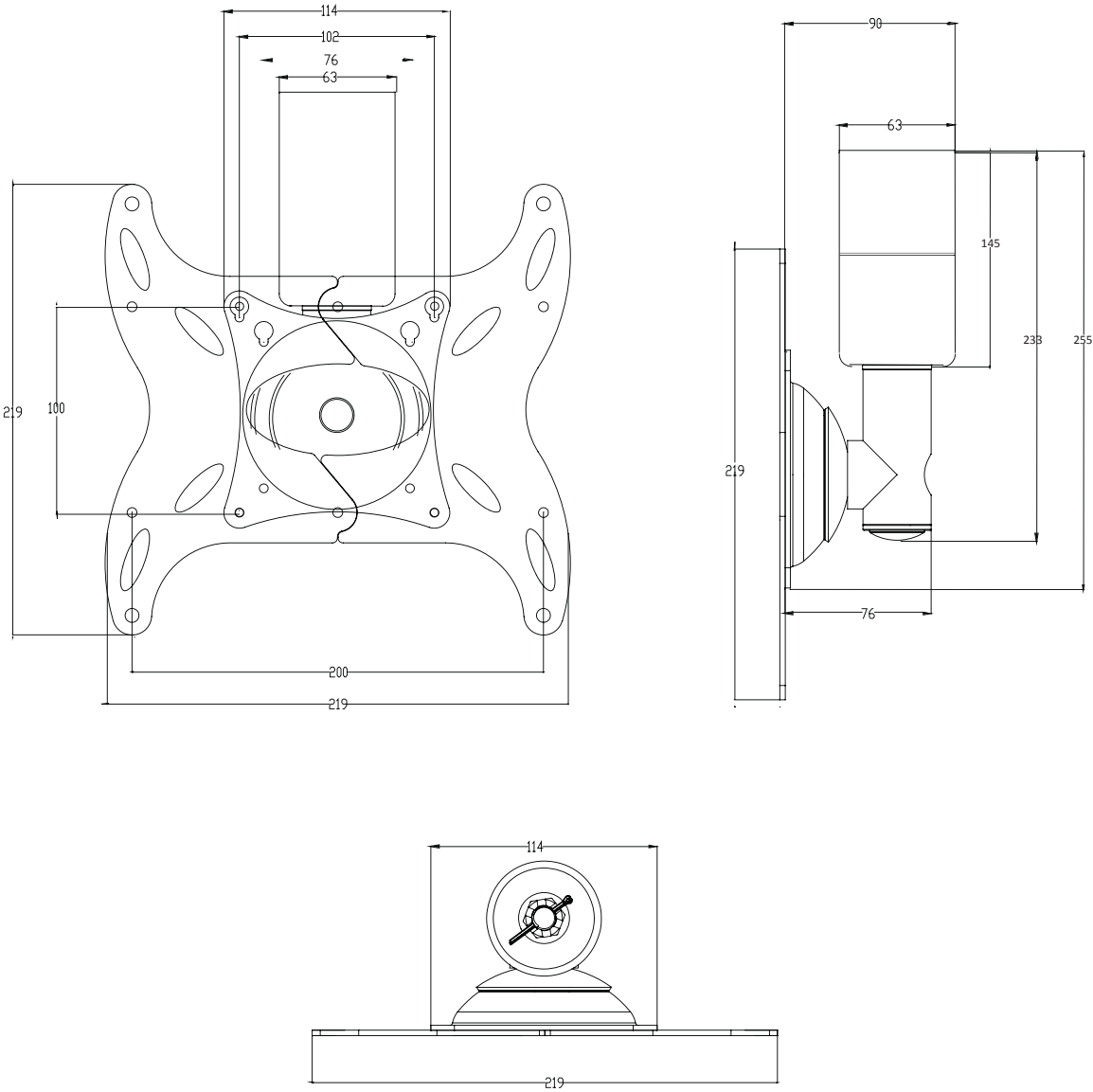


Adaptor Plate Mounting Configuration (OPTIONAL)

100mm x 100mm VESA mount points.

200mm x 100mm mount points. (M4 x 10mm Phillips flat head screws only).

200mm x 200mm mount points. (If M4 screws are used, M5 washers must be used as well).



Shown with optional 200mm x 200mm VESA Adaptor Plate
All measurements are in millimetres



See it your way...

ErgoMounts Limited

Unit 10
Pegasus Court
North Lane
Aldershot
Hampshire
GU12 4QP
United Kingdom

T +44 (0)1252 333326
F +44 (0)1252 330006

www.ergomounts.co.uk