

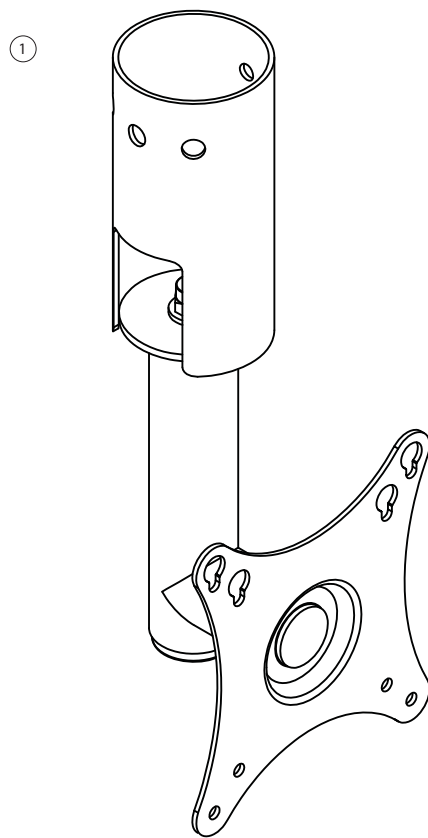
**EMPRO-PRC2**  
Adjustable LCD Mount  
for Pro Series 50mm Poles.



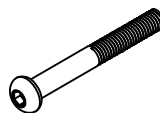
### Installation Tools


- Protective Eyewear
- Stir straw/Toothpick
- Philips screwdriver


The **EMPRO-PRC2** is shipped with all proper installation hardware and components. Please verify that none of these parts are missing and/or damaged before assembly. If any parts are missing/damaged please stop assembly and contact **ErgoMounts** 01252 333326

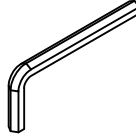


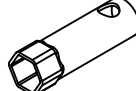
Flat Screen Mount  
(Qty 1)

- 

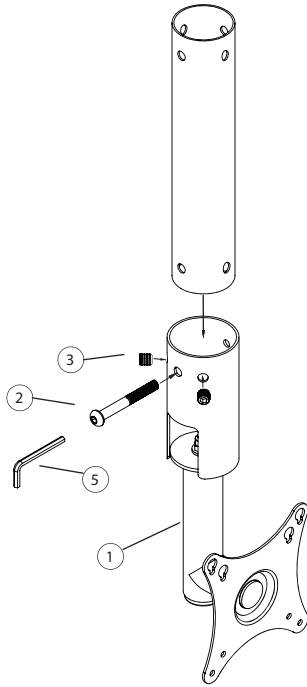
M8 x 60mm Screw  
(Qty 1)
- 

M10 x 10mm Grub  
Screw (Qty 2)
- 

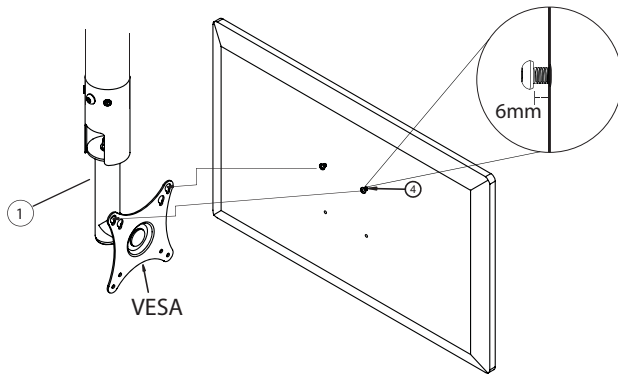
M4 x 12mm Screw  
(Qty 4)
- 

5mm Allen Key  
(Qty 1)
- 

S13mm Socket  
Wrench (Qty 1)

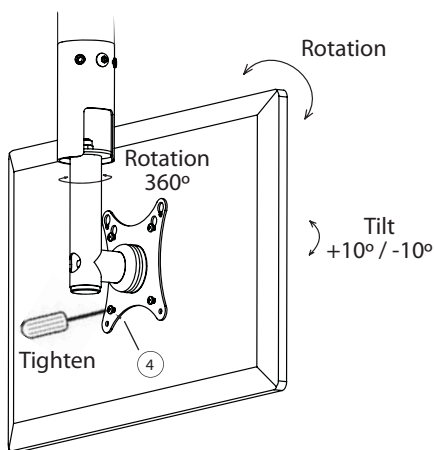


- 1 Attach the flat screen mount (Part 1) on to the extension pole (not supplied). Fit the M8 x 60mm screw (part 2) and M10 x 10mm grub screws (Part 3) using the provided 5mm Allen key (Part 5).

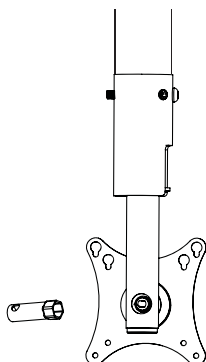


- 2 Mount the screen using the keyhole fixings (Suitable for screens with VESA 75 x 75mm or 100 x 100mm Fixings). Insert halfway 2pcs M4 x 12mm screws (Part 4) into the upper VESA fixings on rear of screen with 6mm overhanging.

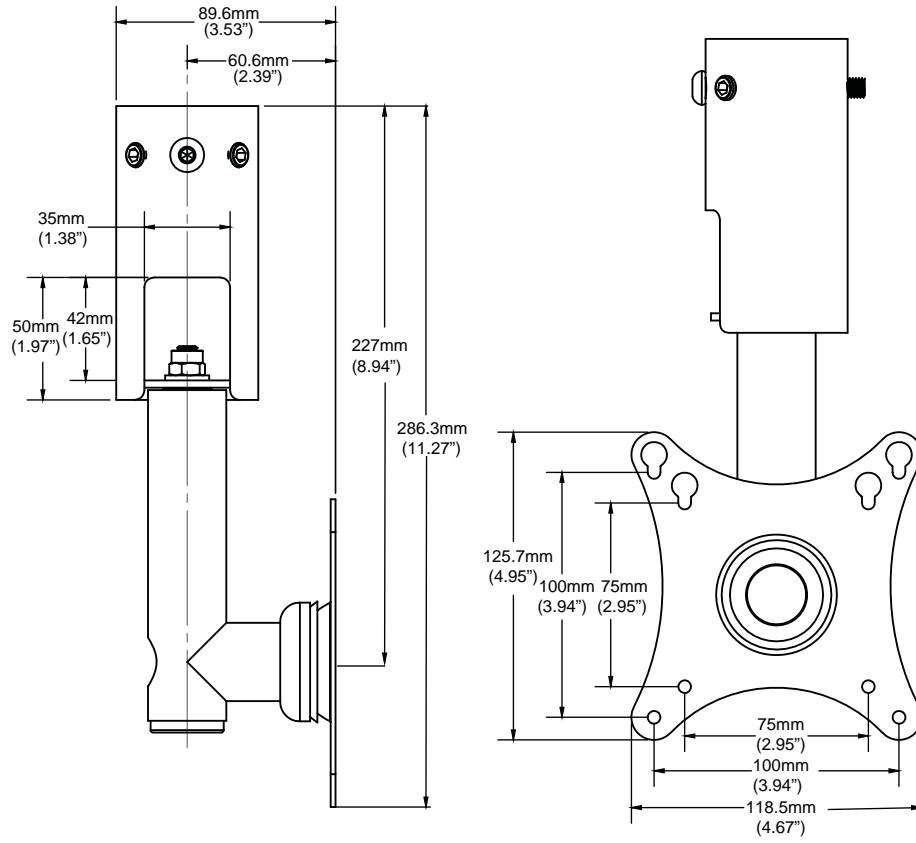
Mount screen on to VESA plate (Part 1). This procedure may require 2 persons.

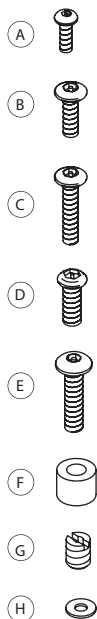
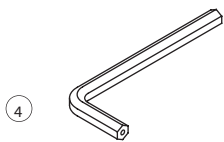
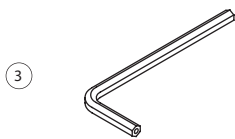
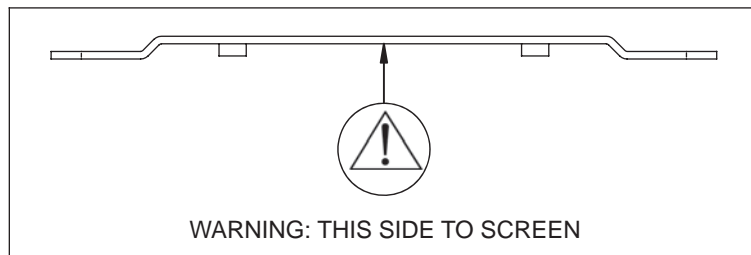
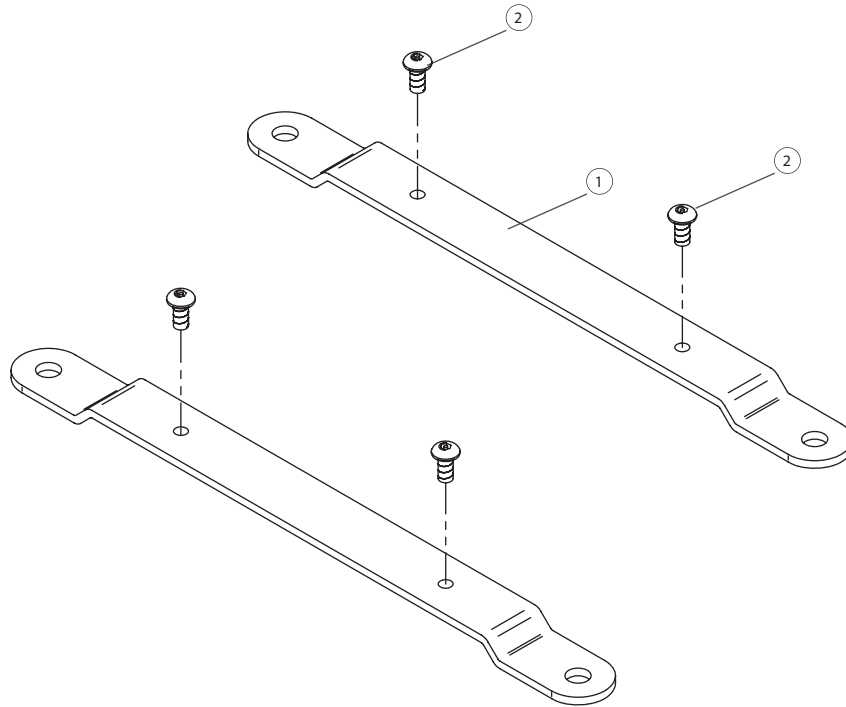


- 3 Attach the remaining 2pcs M4 x 12mm screws into the lower VESA fixing holes of the screen and then tighten all screws, securing screen to mount.



- 4 If required, position the angle of the screen by adjusting the mount tension using the supplied 513mm socket wrench (Part 6) to adjust resistance. Clockwise to increase tension, counter-clockwise to decrease tension.

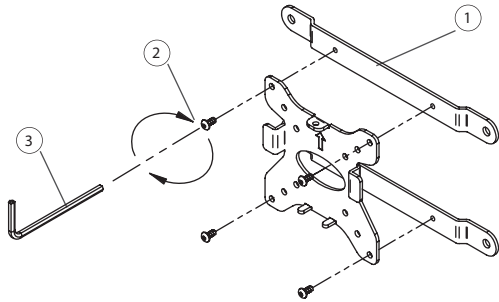




- ① Adaptor Arm (Qty 2)
- ② M4 x 8mm Pin Hex Security Screw (Qty 4)
- ③ 3mm Pin Hex Security Key (For Parts A & B) (Qty 1)
- ④ 4mm Pin Hex Security Key (For Parts 2, C & D) (Qty 1)

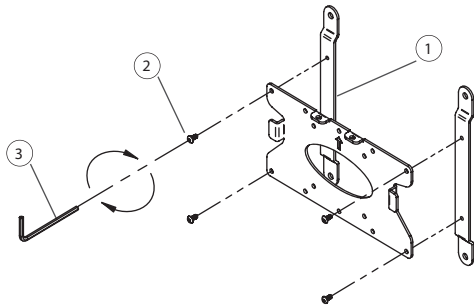
**Flat Screen Interface Kit**

- Ⓐ M4 x 12mm Pin Hex Security Screw (Qty 4)
- Ⓑ M5 x 16mm Pin Hex Security Screw (Qty 4)
- Ⓒ M5 x 25mm Pin Hex Security Screw (Qty 4)
- Ⓓ M6 x 16mm Pin Hex Security Screw (Qty 4)
- Ⓔ M6 x 25mm Pin Hex Security Screw (Qty 4)
- Ⓕ M6 x 12mm Spacer (For Parts B & D) (Qty 4)
- Ⓖ M8 to M4 Adaptor (Qty 4)
- Ⓗ M4 Washer (For Part G) (Qty 4)

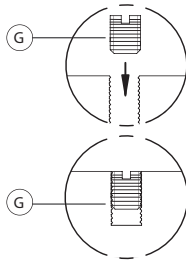
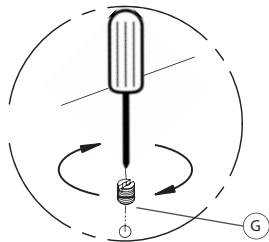


VESA mount interface plate  
(available separately)

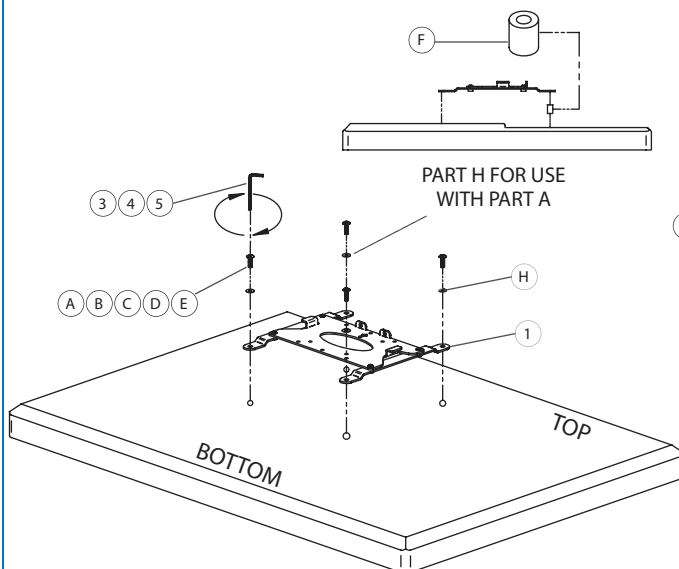
- 1 Attach VESA mount (100 x 100mm or 200 x 100mm) to the adaptor arms.



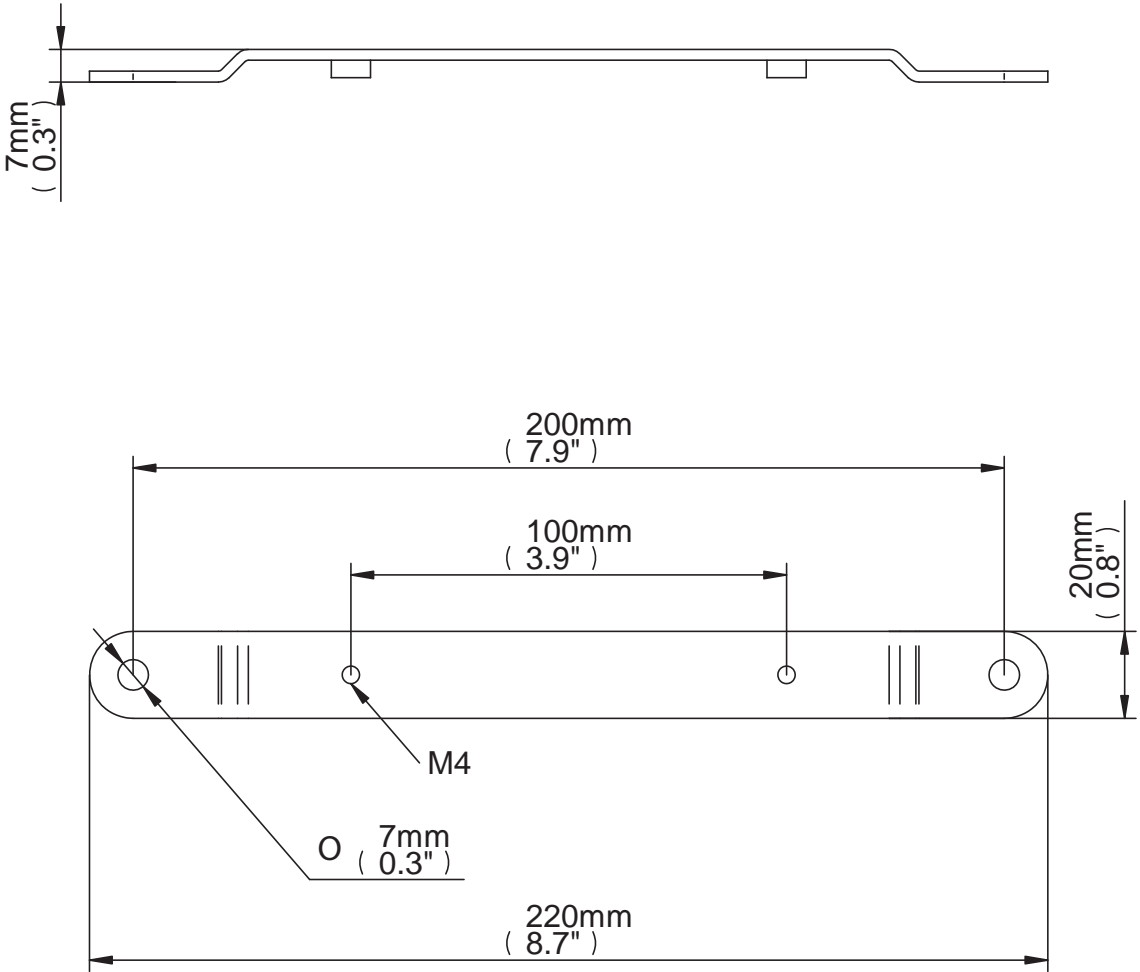
VESA mount interface plate  
(available separately)



- 2 Screens with M8 fixings.  
Screw parts G into the flat screen fixing holes.  
Continue with screen mounting.



- 3 Follow instructions supplied with VESA mount to complete installation.





See it your way...

**ErgoMounts** Limited

Unit 10  
Pegasus Court  
North Lane  
Aldershot  
Hampshire  
GU12 4QP  
United Kingdom

T +44 (0)1252 333326  
F +44 (0)1252 330006

[www.ergomounts.co.uk](http://www.ergomounts.co.uk)