


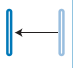
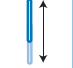









VisionPro 800 Series LCD Arms

VisionPro 800 is a range of high quality LCD monitor arms designed to support two or three LCD monitors horizontally off a vertical surface. Each LCD monitor can slide along the each adjustable cross wing so that bezels can be set together. Additionally each monitor has independent tilt, angle left to right and portrait to landscape movement.

The VisionPro 800 allows monitors to be pulled out from the wall up to 400mm, turned together or separately and then folded to within 155mm making it an ideal mounting solutions for PACS applications. Each horizontal swing arm is cable managed on the underside. Dual horizontal configurations accommodate monitors up to 540mm wide and triple horizontal configurations accommodate monitors up to 435mm wide. Finished in black.


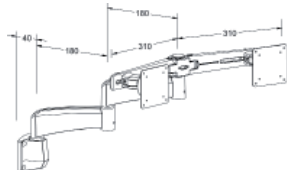

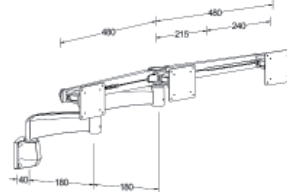
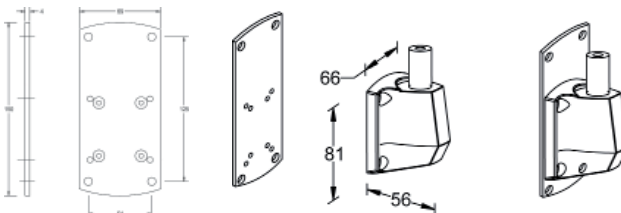
- Double articulating arm supporting two or three LCD monitors up to 400mm from the wall.
- Monitors can be rotated together left to right.
- Strong wall mount fitting.
- Supplied with 75mm x 75mm and 100mm x 100mm VESA interface plates.
- Supports monitors up to 11kg.
- Maximum monitor widths 540mm dual, 435mm triple.



-  540mm/435mm
-  0-400mm
-  0mm
-  +/-57°
-  90°
-  L/P
-  Black
-  No
-  No
-  11kg
-  1 Year
-  VESA MIS-D
75x75mm
100x100mm

Specifications

Arm Ext.:	0-400mm
Monitor Height Adjust	0mm
Tilt Adjustment:	+/-57°
Monitor Swivel	+/-90°
Monitor Orientation	Landscape to Portrait
Colour	Black
Touch Screen Stable	No
Keyboard and Mouse Tray	No
Max Monitor Weight	11kg per monitor
Product Warranty	1 Year

		<p>Part Number EMVP8122B-WM</p> <p>Description VisionPro dual horizontal LCD support, double extension arm, black finish, wall mount fitting. Maximum monitor width 540mm each. Maximum arm capacity 22kg.</p>
		<p>Part Number EMVP8132B-WM</p> <p>Description VisionPro triple horizontal LCD support, double extension arm, black finish, wall mount fitting. Maximum monitor width 435mm each. Maximum arm capacity 33kg.</p>
		<p>Part Name Wall Mount Bracket</p> <p>Description Attaches to vertical surfaces. Supplied with load spreading plate. Black finish.</p>